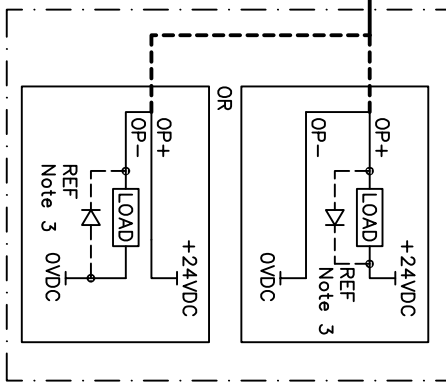


DIP SWITCH SETTINGS			
SWITCH	Off	On (Default)	
1	Output Open	Output Closed	
2	Redbusbar use only	Default	
3	Redbusbar use only	Default	
4	Redbusbar use only	Default	

DE-ENERGISED STATUS OUTPUT
(OPTIONAL) REF Note 2.



- NOTE:
1. SWITCHES 2,3 MUST REMAIN ON. THESE SWITCHES ARE USED FOR DIAGNOSTICS AND WILL CAUSE THE UNIT TO FAULT IF SET TO OFF. CHANGING THESE SWITCHES BACK TO ON WILL RESTORE FUNCTIONALITY
 2. STATUS CAN BE INVERTED USING DIP SWITCH 1
 3. USE A FLY BACK DIODE FOR DRIVING INDUCTIVE LOADS.

The content of this drawing is the property of Redbusbar Pty Ltd. It is not to be used for any purpose other than that for which it was prepared or communicated to any other person without the written consent of Redbusbar Pty Ltd.

Redbusbar Pty Ltd
5/281 Sandgate Rd, Albion QLD 4010
P (617) 3282 5890

No.	BY	DATE	REVISION DETAILS	CHECKED	APPROVED
0	CD	MAR24	ORIGINAL ISSUE	CD	CD

BR	DATE	CLIENT	REV
CD	MAR24	REDBUSBAR	0
CD	MAR24	SWITCHCHECK 34	A4
CD	MAR24	TERMINATION DIAGRAM	
CD	MAR24		

SCALE N.T.S
DRAWING No. D24CP001